

PRINTED CATALOGUE



WEBSITE LINK

[/ products / ZINLUX luminaires / indirect lighting](#)

PRODUCT NO:

DESCRIPTION:

IMAGE



ZINLUX

Millenium CC LED



ZINCOMETAL S.A. is constantly developing and improving its products. For this reason, all product descriptions in this catalogue are intended as a general guide, and we may change specifications from time to time in the interest of product development, without prior notification or public announcement. Regarding the validity of the International Standards it is considered always the oldest edition.

Stay tuned with the company by signing up in ZINCOMETAL's Newsletter ([www.zincometal.gr](http://www.zincometal.gr)) and Social Media.

## 2.5. MILLENIUM Collection ZINLUX Millenium CC

### Image 1

Indirect lighting ZINLUX  
Millenium CC luminaire in  
combination with decorative  
pole of circular cross-section  
from SANTA Collection



**Image 2**

ZINLUX Millennium CC/1  
with "Single" polyester or  
aluminium reflector

**Image 3**

ZINLUX Millennium CC/2  
with "Double" polyester or  
aluminium reflector



**Application** The luminaire is ideal for urban lighting applications such as squares and pedestrian areas, parks, urban roads and streets etc.

**Introduction** It's a combination of a rectangular floodlight with a reflector which reflects the light beam to the ground.

**Complete lighting system** The luminaire has been designed for mounting on poles of  $\Phi 102\text{mm}$  or  $\Phi 121\text{mm}$  through special decorative component. It's combined with the MILLEN C floodlight with the choice of RF-PL-120TR polyester reflector or the RF-AL-100TR aluminium reflector.

For a better aesthetic result the indirect lighting luminaire is combined with steel decorative lighting poles of SANTA and CITY Collection or with aluminium lighting poles of ATHOS Collection.

### Technical Features

Polyester reflector



Semi-curved reflector of trapezoid form RF-AL-120TR from high quality polyester and dimensions of 1220x1120x760mm, 25mm thickness, and bracket made of two (2) steel sheets, which are mounting on the body of the pole through a special decorative scissile connection component of die-cast aluminium.

The reflector is in white color for better reflection of the light.

Aluminium reflector



Semi-curved reflector of trapezoid form RF-AL-100TR from high quality aluminium sheet with dimensions of 1030x890x630mm, 4mm thickness, and bracket made of two (2) steel sheets, which are mounting on the body of the pole through a special decorative scissile connection component of die-cast aluminium.

Polyester powder coating in white color for better reflection of the light.

Indirect floodlight



Floodlight made of die-cast aluminium in rectangular form (MILLEN C).

Diffuser tempered glass of flat form, 5mm thickness, featured by high transparency, resistant to impact and thermal shock. It's sealed with silicone rubber gasket.

Polyester powder coating for resistance to corrosion and for optimum protection against harsh environments and seaside areas. In order to maximize this effect, it is proposed to apply a final electrostatic powder coating with a top layer of gloss clear coat (optional).

There is a special cooling system (heatsink) is made of high quality aluminium alloy, which helps the effective heat management in order to ensure the proper operation and to maximize the lifetime of LEDs .

The power supply is adjusted in a special removable steel plate. It has over temperature protection in order to increase lifetime and to gurantee proper operation of the LED luminaire. All the electrical connections are done with cables of silicone insulation with high thermal resistance more than 120°C.

**Additional features:**

- Waterproof and dustproof protection: IP65
- Meechanical Impact: IK09
- Electrical Insulation: Class I

Power versions

LED 20-60W

The luminaire incoporates leading-edge LED technology.

Correlated Color Temperature  
(CCT)

Color temperature is Neutral White - 4000K.

Possibility of choice of Correlated Color Temperature (CCT) according to customer needs.

**Λεπτομέρειες Σύνδεσης**

Bracket components



“Single” sided scissile decorative connection component made of die-cast aluminium for mounting on pole of  $\Phi 102$  (SY 102 / SY 102T) and  $\Phi 120$  (SY 120 / SY 120T) respectively.



“Double” sided scissile decorative connection component made of die-cast aluminium for mounting on pole of  $\Phi 102$  (SY 102T / SY 102T) and  $\Phi 120$  (SY 120T / SY 120T) respectively.



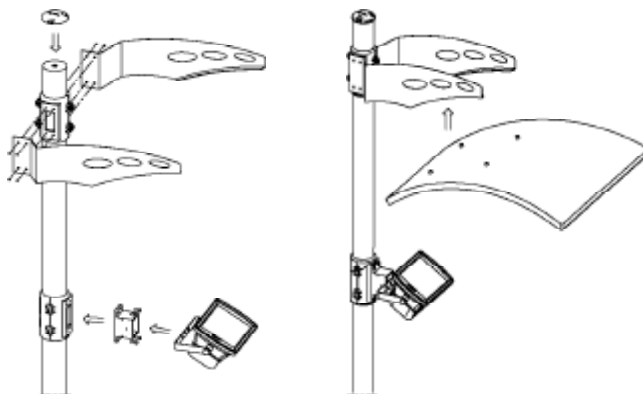
Die-cast aluminium component for the floodlight mounting (SYM 80).



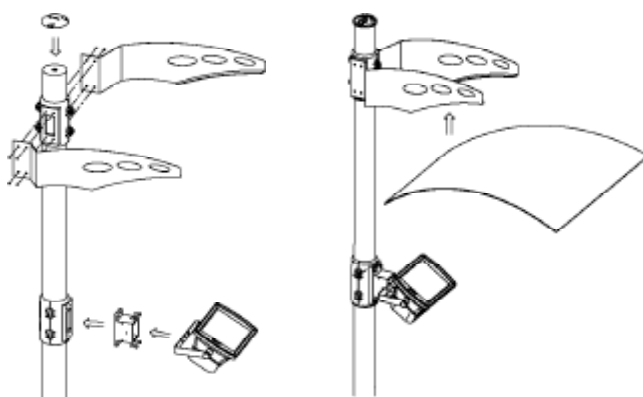
Die-cast aluminium accessory for top mounting on pole with spigot  $\Phi 102$  (K-102) and  $\Phi 121$  (K-120) respectively.

#### Assembling - Mounting

Luminaire with polyester reflector



Luminaire with aluminium reflector



Mounting on pole of  $\Phi 102$ mm or  $\Phi 121$ mm through special scissile connection components of die-cast aluminium.

Colors White aluminium – RAL 9006

Grey aluminium - RAL 9007

If it is necessary there is a great choice of RAL colors according to customer needs.

#### Regulations - Approvals

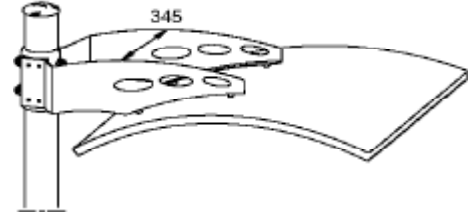
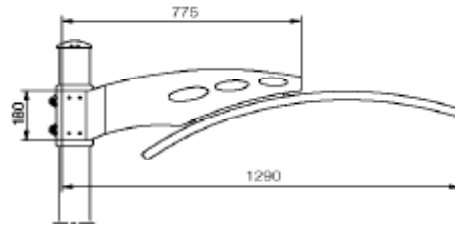
Manufactured according to European Directives and Standards and has CE Certification.

Dimensional drawings

Gross weight: 21.00kg

Wintage: 0.22m<sup>2</sup>

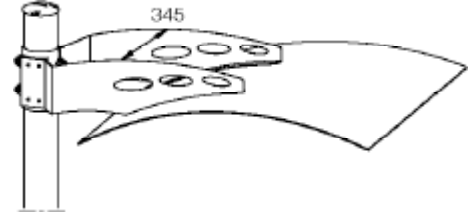
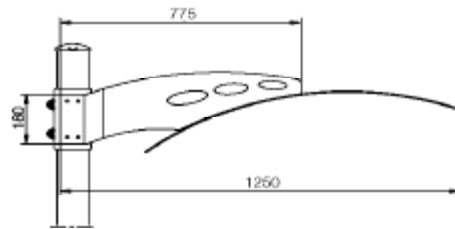
Luminaire with polyester  
reflector



Luminaire with aluminium  
reflector

Gross weight: 23.00kg

Wintage: 0.20m<sup>2</sup>



## Table of Indirect Lighting Luminaires - LED technology

**ZINLUX Millenium CC**

Code		Rated power	No LED	Luminous flux	Color temperature	Ideal for poles
		W	pcs.	LED flux (Lm @ T <sub>j</sub> =25°C) <sup>1</sup>	K	m
"Single" polyester reflector	L- Millenium CC/PL/1/LD	20	-	2743	4000 (Neutral White)	3.00-6.00
		30		3920		
		40		4990		
		60		6770		
"Double" polyester reflector	L- Millenium CC/PL/2/LD	20	-	2743	4000 (Neutral White)	3.00-6.00
		30		3920		
		40		4990		
		60		6770		
"Single" aluminium reflector	L- Millenium CC/AL/1/LD	20	-	2743	4000 (Neutral White)	3.00-6.00
		30		3920		
		40		4990		
		60		6770		
"Double" aluminium reflector	L- Millenium CC/AL/2/LD	20	-	2743	4000 (Neutral White)	3.00-6.00
		30		3920		
		40		2743		
		60		6770		

<sup>1</sup>Rated data from LED manufacturer datasheet.

**Additional data**

Rated voltage: 220-240V AC, Input frequency: 50/60Hz, LED source efficacy: 150 lm/W @ 85°C - Binning conditions, Power factor (p): >0.92, THD: <20%, Rated Color Rendering Index (CRI) ≥70, Temperature of working conditions: -30°C up to +60°C, Humidity of working conditions: 10% - 90%, Rated life: >50000hrs.

Because of rapid technological development of LED, the above information contained in this document may change without notice. They should be confirmed in case of order.

Copyright © 2016 - All rights reserved ZINCOMETAL S.A.

All rights reserved.

Reproduction in whole or in part is prohibited without the prior written consent of the copyright owner. The information presented in this document does not form part of any quotation or contract, is believed to be accurate and reliable and may be changed without notice. No liability will be accepted by the publisher for any consequence of its use. Publication thereof does not convey nor imply any license under patent or other industrial or intellectual property rights.



[www.zincometal.gr](http://www.zincometal.gr)

---

**Δ.** 10ο χλμ. Κιλκίς-Πολυκάστρου  
61100 Κιλκίς, τ.θ. 21  
**AD.** 10th km. Kilkis - Polikastro  
P.C. 61100 Kilkis, Greece

**T.** +30 23410 75651-3  
+30 23410 71581  
**F.** +30 23410 71734

**E.** [info@zincometal.gr](mailto:info@zincometal.gr)  
**WEB.** [www.zincometal.gr](http://www.zincometal.gr)

---

zin  
lux  
lighting

The logo for Zin Lux Lighting consists of a stylized light fixture icon on the left, featuring a semi-circle above a square base with a small circle on top. To the right of the icon, the text "zin lux lighting" is stacked vertically in a lowercase, sans-serif font.

hellenic griglia

The logo for Hellenic Griglia features a stylized grid icon on the left, composed of a square grid with a semi-circle on top. To the right of the icon, the text "hellenic griglia" is written in a lowercase, sans-serif font.