

PRINTED CATALOGUE



WEBSITE LINK

[/ products](#) / [ZINLUX luminaires](#) / [indirect lighting](#)

PRODUCT NO:

DESCRIPTION:

IMAGE



ZINLUX

Metropolis T-O LED



ZINCOMETAL S.A. is constantly developing and improving its products. For this reason, all product descriptions in this catalogue are intended as a general guide, and we may change specifications from time to time in the interest of product development, without prior notification or public announcement. Regarding the validity of the International Standards it is considered always the oldest edition.

Stay tuned with the company by signing up in ZINCOMETAL's Newsletter (www.zincometal.gr) and Social Media.

2.1. METROPOLIS Collection ZINLUX Metropolis T-O

Image 1

Post - top ZINLUX
Metropolis T-O/S
indirect lighting luminaire
in combination with decorative
pole from CITY Collection



Image 2

ZINLUX Metropolis T-O/S
luminaire with
symmetric reflector

**Image 3**

ZINLUX Metropolis T-O/AS
luminaire with
asymmetric reflector



Application The luminaire is ideal for urban lighting applications such as squares and pedestrian areas, parks, urban roads and streets etc.

Introduction It's a combination of a round floodlight with a reflector which reflects the light beam to the ground.

Complete lighting system The luminaire has been designed for post-top mounting $\Phi 89$. It's combined with the METRO T-O floodlight with the choice of RF-AL-80S reflector for symmetrical light distribution or with the RF-AL-90AS reflector for asymmetrical light distribution.

For a better aesthetic result the indirect lighting luminaire is combined with steel decorative lighting poles of SANTA and CITY Collection or with aluminium lighting poles of ATHOS Collection.

Technical Features

Symmetric reflector



Flat form reflector of circular form RF-AL-80S from high quality aluminium sheet of 800mm diameter and 4mm thickness for symmetrical light distribution. The reflector is mounted on the body of the METRO T-O floodlight through four (4) die-cast aluminium brackets.

Polyester powder coating in white color for better reflection of the light.

Asymmetric reflector



Flat form reflector of elliptical form RF-AL-90S from high quality aluminium sheet with dimension of 900x700mm and thickness of 4mm for asymmetrical light distribution. The reflector is mounted on the body of the METRO T-O floodlight through three (3) die-cast aluminium brackets.

Polyester powder coating in white color for better reflection of the light.

Indirect floodlight



The body of the floodlight is in round form made of die-cast aluminium (METRO T-O).

Diffuser tempered glass of flat form, 5mm thickness, featured by high transparency, resistant to impact and thermal shock. It's sealed with silicone rubber gasket.

Polyester powder coating for resistance to corrosion and for optimum protection against harsh environments and seaside areas. In order to maximize this effect, it is proposed to apply a final electrostatic powder coating with a top layer of gloss clear coat (optional).

There is a special cooling system (heatsink) is made of high quality aluminium alloy, which helps the effective heat management in order to ensure the proper operation and to maximize the lifetime of LEDs .

The power supply is adjusted in a special removable steel plate. It has over temperature protection in order to increase lifetime and to guarantee proper operation of the LED luminaire. All the electrical connections are done with cables of silicone insulation with high thermal resistance more than 120°C.

Additional features:

- Waterproof and dustproof protection : IP66
- Mechanical Impact: IK09
- Electrical Insulation: Class I

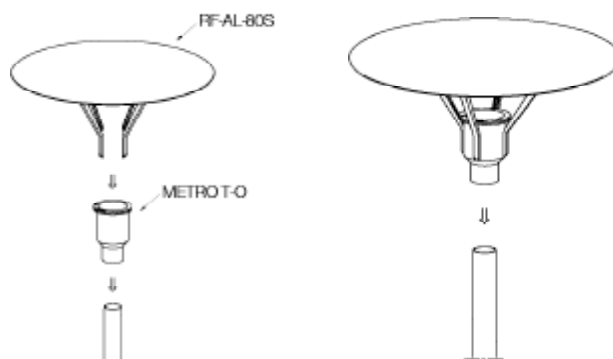
Power versions LED 20-40W

The luminaire incorporates leading-edge LED technology.

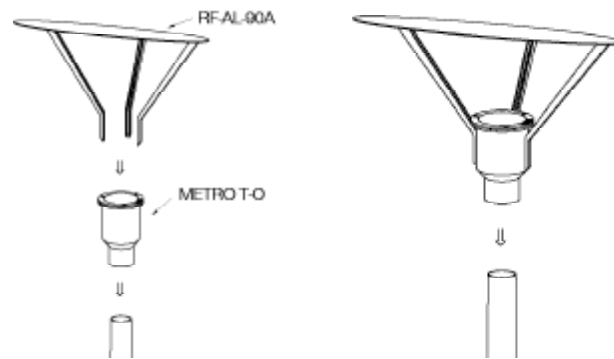
Correlated Color Temperature Color temperature is Neutral White - 4000K.

(CCT) Possibility of choice of Correlated Color Temperature (CCT) according to customer needs.

Assembling - Mounting
Symmetric reflector



Asymmetric reflector

Post - top mounting $\Phi 89\text{mm}$.**Image 4**Mounting of symmetric
and asymmetric reflector**Colors** Grey aluminium - RAL 9007

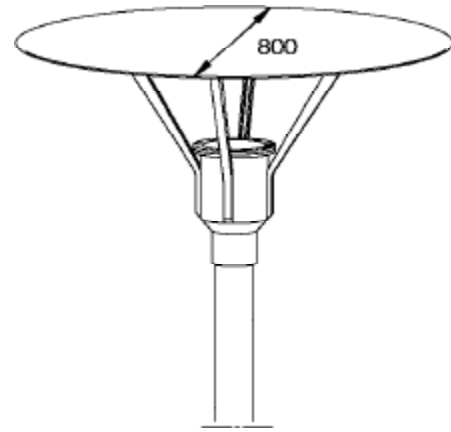
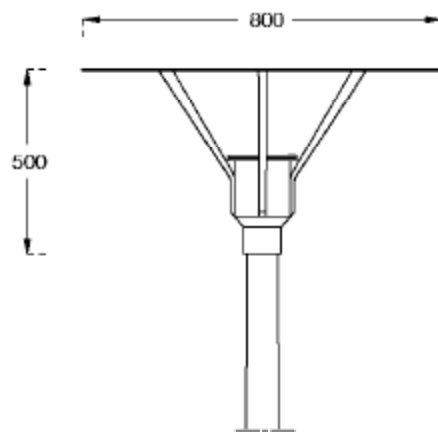
Anthracite grey - RAL 7016

If it is necessary there is a great choice of RAL colors according to customer needs.

Regulations – Approvals Manufactured according to European Directives and Standards and has CE Certification.

Dimensions drawings
Gross weight: 4.8kg
Wintage: 0.07m²

Symmetric reflector



Asymmetric reflector
Gross weight: 4.8kg
Wintage: 0.215m²

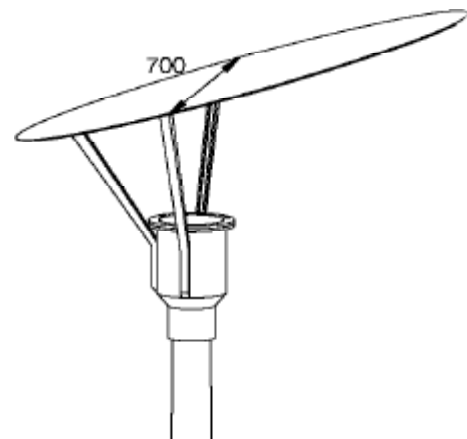
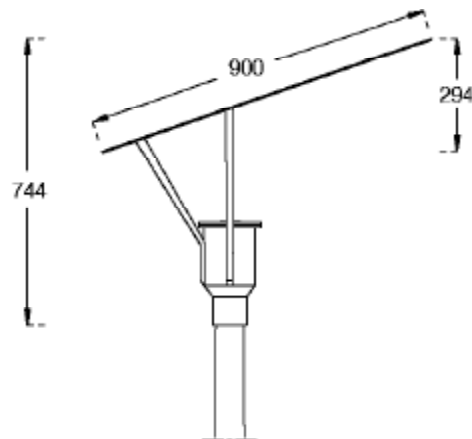


Table of Indirect Lighting Luminaires - LED technology

ZINLUX Metropolis T-O

Code		Rated power	No LED	Luminous flux	Color temperature	Ideal for poles
		W	pcs.	LED flux (Lm @ T _j =25°C) ¹	K	m
Symmetric reflector	L- Metropolis T-0/S/LD	20	-	2743	4000 (Neutral White)	3.00-5.00
		30		3920		
		40		4990		
Asymmetric reflector	L- Metropolis T-0/AS/LD	20	-	2743	4000 (Neutral White)	3.00-5.00
		30		3920		
		40		4990		

¹Rated data from LED manufacturer datasheet.

Additional data

Rated voltage: 220-240V AC, Input frequency: 50/60Hz, LED source efficacy: 150 lm/W @ 85°C - Binning conditions, Power factor (p): >0.92, THD: <20%, Rated Color Rendering Index (CRI) ≥70, Temperature of working conditions: -30°C up to +60°C, Humidity of working conditions: 10% - 90%, Rated life: >50000hrs.

Because of rapid technological development of LED, the above information contained in this document may change without notice. They should be confirmed in case of order.

Copyright © 2016 - All rights reserved ZINCOMETAL S.A.

All rights reserved.

Reproduction in whole or in part is prohibited without the prior written consent of the copyright owner. The information presented in this document does not form part of any quotation or contract, is believed to be accurate and reliable and may be changed without notice. No liability will be accepted by the publisher for any consequence of its use. Publication thereof does not convey nor imply any license under patent or other industrial or intellectual property rights.



www.zincometal.gr

Δ. 10ο χλμ. Κιλκίς-Πολυκάστρου
61100 Κιλκίς, τ.θ. 21
AD. 10th km. Kilkis - Polikastro
P.C. 61100 Kilkis, Greece

T. +30 23410 75651-3
+30 23410 71581
F. +30 23410 71734

E. info@zincometal.gr
WEB. www.zincometal.gr

zin
lux
lighting

The logo for Zin Lux Lighting consists of a stylized light fixture icon on the left, followed by the text "zin lux lighting" in a lowercase, sans-serif font.

hellenic griglia

The logo for Hellenic Griglia features a stylized grid icon on the left, followed by the text "hellenic griglia" in a lowercase, sans-serif font.