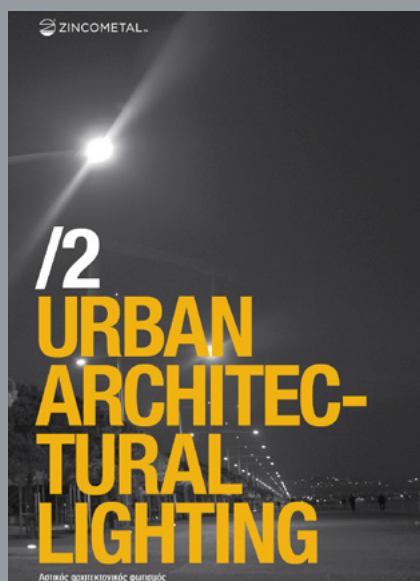


PRINTED CATALOGUE



WEBSITE LINK

[/ products / ZINLUX luminaires / indirect lighting](#)

PRODUCT NO:

DESCRIPTION:

IMAGE



ZINLUX

Metropolis T/EC LED



ZINCOMETAL S.A. is constantly developing and improving its products. For this reason, all product descriptions in this catalogue are intended as a general guide, and we may change specifications from time to time in the interest of product development, without prior notification or public announcement. Regarding the validity of the International Standards it is considered always the oldest edition.

Stay tuned with the company by signing up in ZINCOMETAL's Newsletter (www.zincometal.gr) and Social Media.

2.3. METROPOLIS Collection ZINLUX Metropolis T/EC

Image 1

Indirect lighting ZINLUX
Metropolis T luminaire
in combination with decorative
pole of circular cross-section
from SANTA Collection and
"double" sided light floodlight



Image 2

ZINLUX
Metropolis T/EC/T
aluminium reflector in
rectangular form

**Image 3**

ZINLUX
Metropolis T/EC/TR
aluminium reflector in
trapezoid form



Application The luminaire is ideal for urban lighting applications such as squares and pedestrian areas, parks, urban roads and streets etc.

Introduction It's a combination of a round floodlight with a reflector which reflects the light beam to the ground.

Complete lighting system The luminaire has been designed for post-top mounting $\Phi 60\text{mm}$ or $\Phi 102\text{mm}$ or $\Phi 121\text{mm}$ through special decorative component. It's combined with the METRO T floodlight with the choice of RF-AL-100TR/EC aluminium reflector in tropezoid form or of the RF-AL-90T aluminium reflector in rectangular form. The mounting of the reflector and the indirect floodlight is completed through special scissile connection component of die-cast aluminium.

For a better aesthetic result the indirect lighting luminaire is combined with steel decorative lighting poles of SANTA and CITY Collection or with aluminium lighting poles of ATHOS Collection.

Technical Features

Aluminium reflector
of rectangular form



Bent reflector of rectangular form RF-AL-90T from high quality aluminium sheet with dimensions of 950x450mm, 4mm thickness with an eccentric bracket made of aluminium profile in rectangular cross-section. The floodlight is mounted on the body of the pole through a bracket and a special decorative scissile connection component made of die-cast aluminium.

Polyester powder coating in white color for better reflection of the light.

Aluminium reflector
of trapezoid form



Semi-curved reflector of trapezoid form RF-AL-100TR/EC from high quality aluminium sheet with dimensions of 1030x890x630mm, 4mm thickness with an eccentric bracket made of two (2) steel sheets, which are mounting on the top of the pole through a special decorative scissile connection component of die-cast aluminium.

Polyester powder coating in white color for better reflection of the light.

Indirect floodlight



Floodlight made of die-cast aluminium in round form with "single" sided light (METRO T).



Alternatively, floodlight is in round form made of die-cast aluminium with “double” sided light (METRO TT).

Diffuser tempered glass of flat form, 5mm thickness, featured by high transparency, resistant to impact and thermal shock. It's sealed with silicone rubber gasket.

Polyester powder coating for resistance to corrosion and for optimum protection against harsh environments and seaside areas. In order to maximize this effect, it is proposed to apply a final electrostatic powder coating with a top layer of gloss clear coat (optional).

There is a special cooling system (heatsink) is made of high quality aluminium alloy, which helps the effective heat management in order to ensure the proper operation and to maximize the lifetime of LEDs .

The power supply is adjusted in a special removable steel plate. It has over temperature protection in order to increase lifetime and to guarantee proper operation of the LED luminaire. All the electrical connections are done with cables of silicone insulation with high thermal resistance more than 120°C.

Additional features:

- Waterproof and dustproof protection : IP65
- Mechanical Impact: IK09
- Electrical Insulation: Class I

Power versions LED 20-60W

The luminaire incorporates leading-edge LED technology.

Correlated Color Temperature (CCT)

Color temperature is Neutral White - 4000K.

Possibility of choice of Correlated Color Temperature (CCT) according to customer needs.

Connection details

Bracket components



“Single” sided scissile decorative connection component made of die-cast aluminium for mounting on pole $\Phi 60$ (SY 60/SY 60T), $\Phi 102$ (SY 102 / SY 102T) and $\Phi 120$ (SY 120 / SY 120T) respectively.

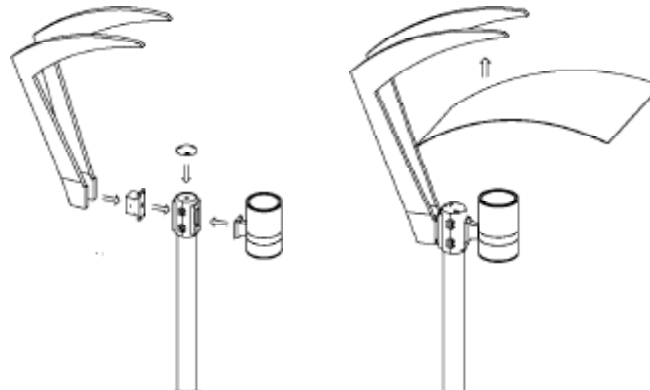


Die-cast aluminium component for the floodlight mounting (SYM 80).

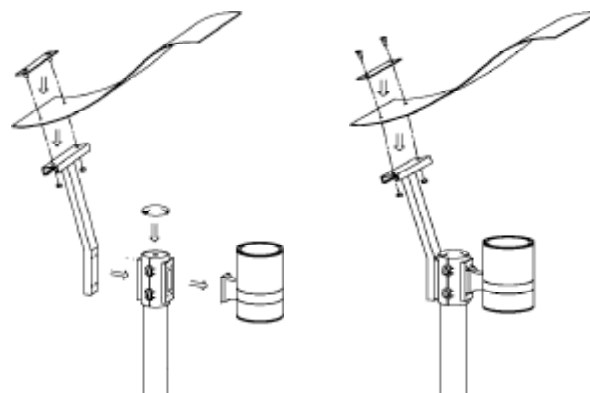


Die-cast aluminium accessory for top mounting on pole $\Phi 60$ with spigot (K-60), $\Phi 102$ (K-102) and $\Phi 121$ (K-120) respectively.

Assembling - Mounting
ZINLUX Metropolis T/EC/TR
luminaire with floodlight
at "single" sided light



ZINLUX Metropolis T/EC/T
luminaire with floodlight
at "single" sided light



Mounting on the upper part of the body on the pole of $\Phi 60\text{mm}$ or $\Phi 102\text{mm}$ or $\Phi 121\text{mm}$ cross-section.

Colors White aluminium – RAL 9006

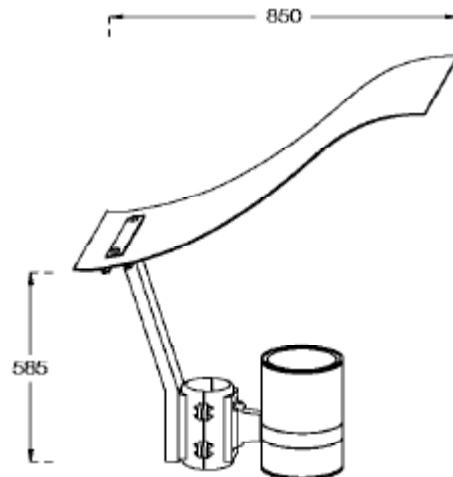
Grey aluminium - RAL 9007

If it is necessary there is a great choice of RAL colors according to customer needs.

Regulations – Approvals Manufactured according to European Directives and Standards and has CE Certification.

Dimensional drawings Gross weight: 30kg
Wintage: 0.31m²

Luminaire with aluminium reflector in rectangular form



Luminaire with aluminium reflector in trapezoid form

Gross weight: 13.00kg
Wintage: 0.29m²

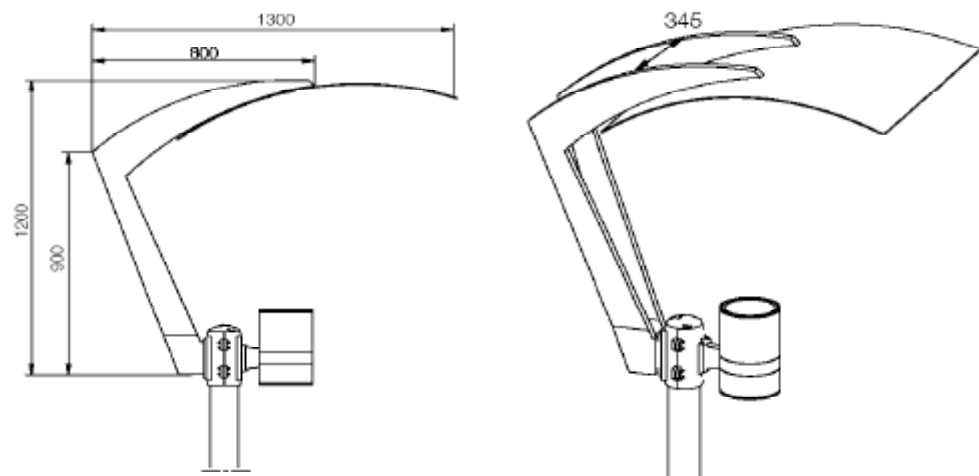


Table of Indirect Lighting Luminaires - LED technology

ZINLUX Metropolis T/EC

Code		Rated power	No LED	Luminous flux	Color temperature	Ideal for poles
		W	pcs.	LED flux (Lm @ T _j =25°C) ¹	K	m
Rectangular reflector	L- Metropolis T/EC/T-AL/LD	20	-	2743	4000 (Neutral White)	3.00-6.00
		30		3920		
		40		4990		
		60		6770		
Trapezoid reflector	L- Metropolis T/EC/TR-AL/LD	20	-	2743	4000 (Neutral White)	3.00-6.00
		30		3920		
		40		4990		
		60		6770		

¹Rated data from LED manufacturer datasheet.

Additional data

Rated voltage: 220-240V AC, Input frequency: 50/60Hz, LED source efficacy: 150 lm/W @ 85°C - Binning conditions, Power factor (p): >0.92, THD: <20%, Rated Color Rendering Index (CRI) ≥70, Temperature of working conditions: -30°C up to +60°C, Humidity of working conditions: 10% - 90%, Rated life: >50000hrs.

In case of choosing floodlight with “Double” sided light and reflector of aluminium in rectangular or trapezoid form, the order codes are: L-Metropolis T/EC/T-AL/LD or L-Metropolis T/EC/TR-AL/LD respectively.

Because of rapid technological development of LED, the above information contained in this document may change without notice. They should be confirmed in case of order.

Copyright © 2016 - All rights reserved ZINCOMETAL S.A.

All rights reserved.

Reproduction in whole or in part is prohibited without the prior written consent of the copyright owner. The information presented in this document does not form part of any quotation or contract, is believed to be accurate and reliable and may be changed without notice. No liability will be accepted by the publisher for any consequence of its use. Publication thereof does not convey nor imply any license under patent or other industrial or intellectual property rights.



www.zincometal.gr

Δ. 10ο χλμ. Κιλκίς-Πολυκάστρου
61100 Κιλκίς, τ.θ. 21
AD. 10th km. Kilkis - Polikastro
P.C. 61100 Kilkis, Greece

T. +30 23410 75651-3
+30 23410 71581
F. +30 23410 71734

E. info@zincometal.gr
WEB. www.zincometal.gr

The logo for ZIN lux lighting, featuring a stylized light fixture icon above the text "zin lux lighting".

zin
lux
lighting

The logo for hellenic griglia, featuring a stylized globe icon above the text "hellenic griglia".

hellenic griglia