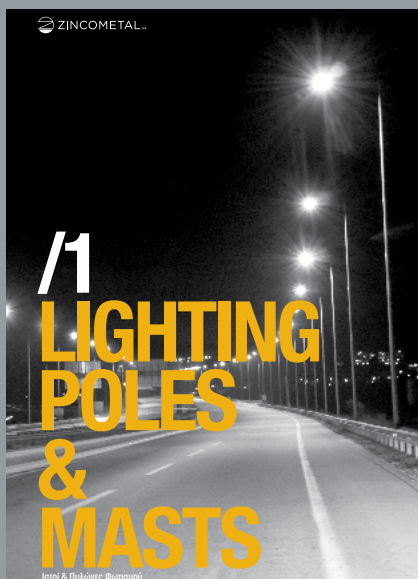


PRINTED CATALOGUE



WEBSITE LINK

[/ products / complementary pole products](#)

PRODUCT NO:

DESCRIPTION:

IMAGE

floodlighting brackets



ZINCOMETAL S.A. is constantly developing and improving its products. For this reason, all product descriptions in this catalogue are intended as a general guide, and we may change specifications from time to time in the interest of product development, without prior notification or public announcement. Regarding the validity of the International Standards it is considered always the oldest edition.

Stay tuned with the company by signing up in ZINCOMETAL's Newsletter (www.zincometal.gr) and Social Media.

1.4.2. Floodlighting brackets

Image 1

Octagonal conical steel lighting pole with base plate and floodlighting bracket type ANGLE, hot-dip galvanized and electrostatic powder coating surface finish (duplex system), for mounting 3 ZINLUX floodlights.



Material Steel tube from hot rolled steel grade S235JR according to EN 10025 manufactured to EN 10219 and merchant bars of L and UPN (cross-arms) section according to EN 10056 and EN 10279 respectively.

Surface protection Hot-dip galvanized according to International Standard EN ISO 1461.

Manufacturing Cutting, drilling, forming and welding is applied according to the project needs. External mounting on pole top is adjusted through screws.

Certifications CE Certificate of Notified European Body (EN 40, European Commission).

**Floodlighting brackets
type ANGLE**

Indicative drawings

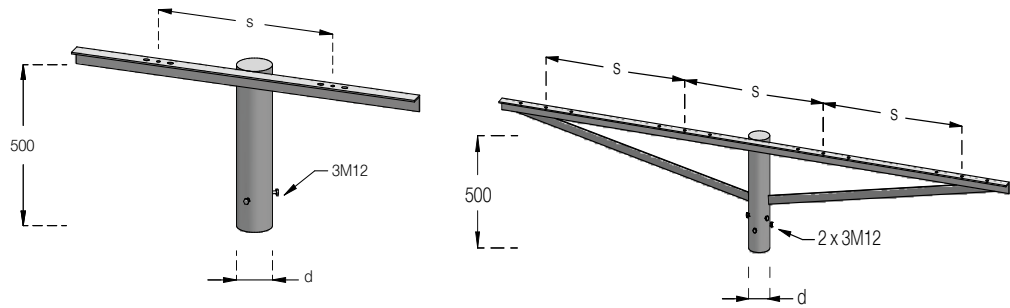


Table
Floodlighting brackets
type ANGLE

Code	d	Material - Dimensions	s	Weight	Floodlights No.	Wattage	
	mm	mm	mm	kg	pcs	Watt	
ZINLUX PROTEC	Ø76	BR/F-M600/76/01	610	L60x6 x 600	7	1	400 - 1000
		BR/F-M1200/76/02		L60x6 x 1200	10	2	
		BR/F-M1800/76/03		L60x6 x 1800	14	3	
		BR/F-M2400/76/04		L60x6 x 2400	18	4	
	Ø102	BR/F-M600/102/01		L60x6 x 600	9	1	
		BR/F-M1200/102/02		L60x6 x 1200	12	2	
		BR/F-M1800/102/03		L60x6 x 1800	16	3	
		BR/F-M2400/102/04		L60x6 x 2400	20	4	
	Ø120	BR/F-M600/120/01		L60x6 x 600	10	1	
		BR/F-M1200/120/02		L60x6 x 1200	13	2	
		BR/F-M1800/120/03		L60x6 x 1800	17	3	
		BR/F-M2400/120/04		L60x6 x 2400	21	4	
ZINLUX PLUTON	Ø76	BR/F-M700/76/01/PL	670	L60x6 x 700	8	1	2000
		BR/F-M1300/76/02/PL		L60x6 x 1300	11	2	
		BR/F-M2000/76/03/PL		L60x6 x 2000	15	3	
		BR/F-M3000/76/04/PL		L60x6 x 3000	21	4	
	Ø102	BR/F-M700/102/01/PL		L60x6 x 700	10	1	
		BR/F-M1300/102/02/PL		L60x6 x 1300	13	2	
		BR/F-M2000/102/03/PL		L60x6 x 2000	17	3	
		BR/F-M3000/102/04/PL		L60x6 x 3000	23	4	
	Ø120	BR/F-M700/120/01/PL		L60x6 x 700	11	1	
		BR/F-M1300/120/02/PL		L60x6 x 1300	14	2	
		BR/F-M2000/120/03/PL		L60x6 x 2000	18	3	
		BR/F-M3000/120/04/PL		L60x6 x 3000	24	4	

Note

Tables are grouped according to zinlux floodlight type

**Floodlighting brackets
type C**

Indicative drawing

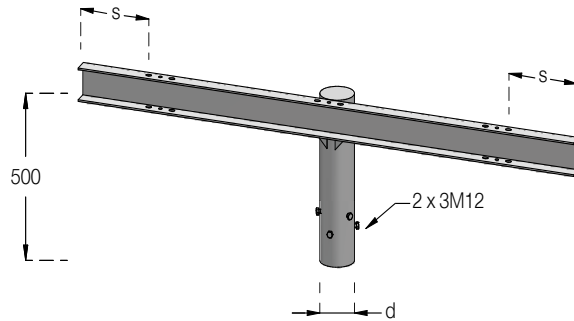


Table
Floodlighting brackets
type C

Code	d	Material - Dimensions	s	Weight	Floodlights No.	Wattage
	mm	mm	mm	kg	pcs	Watt
ZINLUX PROTEC	Φ76	BR/F-M1500/76/02-2/C	253	22	2+2	400 - 1000
		BR/F-M1800/76/03-2/C		26	3+2	
		BR/F-M2400/76/04-2/C		33	4+2	
	Φ102	BR/F-M1500/102/02-2/C		24	2+2	
		BR/F-M1800/102/03-2/C		28	3+2	
		BR/F-M2400/102/04-2/C		35	4+2	
	Φ120	BR/F-M1500/120/02-2/C		25	2+2	
		BR/F-M1800/120/03-2/C		29	3+2	
		BR/F-M2400/120/04-2/C		36	4+2	
ZINLUX PLUTON	Φ102	BR/F-M2000/102/03-2/C/PL	155	30	3+2	2000
		BR/F-M3000/102/04-2/C/PL		42	4+2	
	Φ120	BR/F-M2000/120/03-2/C/PL		31	3+2	
		BR/F-M3000/120/04-2/C/PL		43	4+2	

Note

Tables are grouped according to zinlux floodlight type

**Floodlighting brackets
type ANGLE with 2
traverses**

Indicative drawing

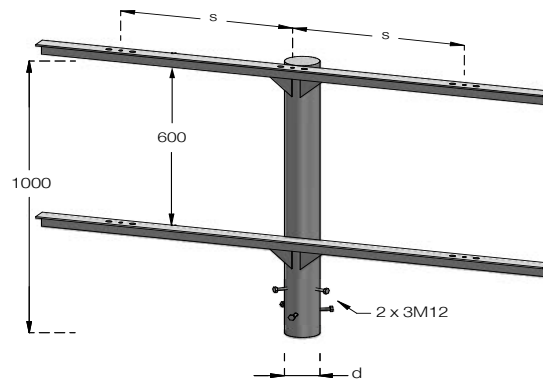


Table
Floodlighting brackets type
ANGLE with 2 traverses

Code	d	Material - Dimensions	s	Weight	Floodlights No.	Wattage	
	mm	mm	mm	kg	pcs	Watt	
ZINLUX PROTEC	Φ102	BR/F-D1800/102/03-2	610	L60x6 x 1800	34	3 + 2	400 - 1000
		BR/F-D2400/102/04-2		L60x6 x 2400	42	4 + 2	
	Φ120	BR/F-D1800/120/03-2		L60x6 x 1800	37	3 + 2	
		BR/F-D2400/120/04-2		L60x6 x 2400	45	4 + 2	

Note
Tables are grouped according
to zinlux floodlight type

ZINLUX PLUTON	Φ102	BR/F-D2000/102/03-2/PL	670	L60x6 x 2000	40	3 + 2	2000
		BR/F-D3000/102/04-2/PL		L75x6 x 3000	52	4 + 2	
	Φ120	BR/F-D2000/120/03-2/PL		L60x6 x 2000	43	3 + 2	
		BR/F-D3000/120/04-2/PL		L75x6 x 3000	55	4 + 2	

Floodlighting brackets
type C with 2 traverses

Indicative drawing

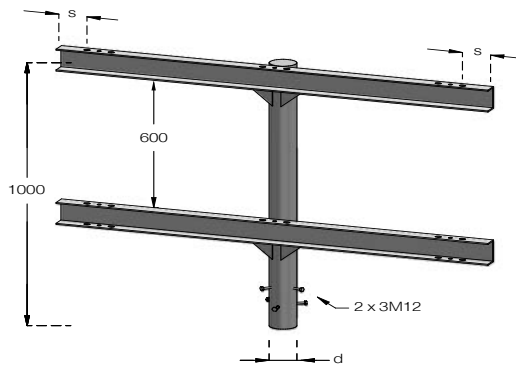


Table
Floodlighting brackets type
C with 2 traverses

Code	d	Material - Dimensions	s	Weight	Floodlights No.	Wattage	
	mm	mm	mm	kg	pcs	Watt	
ZINLUX PROTEC	Φ102	BR/F-D1800/102/03-2/C	253	UPN100x50 x 1800	46	3 + 3 + 2	400 - 1000
		BR/F-D2400/102/04-2/C		UPN100x50 x 2400	57	4 + 4 + 2	
	Φ120	BR/F-D1800/120/03-2/C		UPN100x50 x 1800	49	3 + 3 + 2	
		BR/F-D2400/120/04-2/C		UPN100x50 x 2400	60	4 + 4 + 2	

Note
Tables are grouped according
to zinlux floodlight type

ZINLUX PLUTON	Φ102	BR/F-D2000/102/03-2/C/PL	155	UPN100x50 x 2000	55	3 + 3 + 2	2000
		BR/F-D3000/102/04-2/C/PL		UPN100x50 x 3000	67	4 + 4 + 2	
	Φ120	BR/F-D2000/120/03-2/C/PL		UPN100x50 x 2000	58	3 + 3 + 2	
		BR/F-D3000/120/04-2/C/PL		UPN100x50 x 3000	70	4 + 4 + 2	

**Floodlighting brackets
type C in circular form**

Indicative drawing

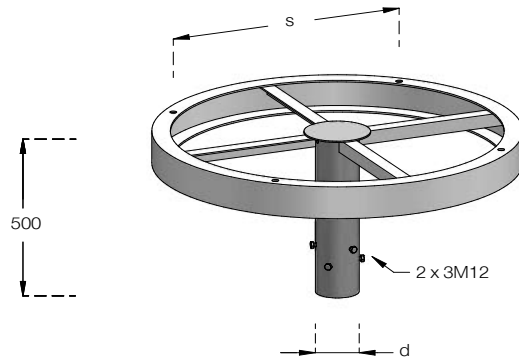


Table
Floodlighting brackets
type C in circular form

Code	d	Material - Dimensions	s	Weight	Floodlights No.	Wattage	
	mm	mm	mm	kg	pcs	Watt	
ZINLUX PROTEC	BR/F-C800/76/ 04/C	Φ76	UPN60x30 x Φ800	610	46	4	400 - 1000
	BR/F-C800/102/04/C	Φ102	UPN60x30 x Φ800		48	4	400 - 2000
	BR/F-C1000/102/05/C		UPN60x30 x Φ1000		50	5	
	BR/F-C1300/102/06/C		UPN80x45 x Φ1300		72	6	
	BR/F-C1700/102/08/C		UPN80x45 x Φ1700		93	8	
	BR/F-C800/120/04/C	Φ120	UPN60x30 x Φ800		50	4	
	BR/F-C1000/120/04/C		UPN60x30 x Φ1000		52	5	
	BR/F-C1300/120/06/C		UPN80x45 x Φ1300		74	6	
	BR/F-C1700/120/08/C		UPN80x45 x Φ1700		95	8	

Note

Tables are grouped according
to zinlux floodlight type

Copyright © 2014 - All rights reserved ZINCOMETAL S.A.

All rights reserved.

Reproduction in whole or in part is prohibited without the prior written consent of the copyright owner. The information presented in this document does not form part of any quotation or contract, is believed to be accurate and reliable and may be changed without notice. No liability will be accepted by the publisher for any consequence of its use. Publication thereof does not convey nor imply any license under patent or other industrial or intellectual property rights.



www.zincometal.gr

Δ. 10ο χλμ. Κιλκίς-Πολυκάστρου
61100 Κιλκίς, τ.θ. 21
AD. 10th km. Kilkis - Polikastro
P.C. 61100 Kilkis, Greece

T. +30 23410 75651-3
+30 23410 71581
F. +30 23410 71734

E. info@zincometal.gr
WEB. www.zincometal.gr

zin
lux
lighting

hellenic griglia